

Elevator Components ■



PT. CENINDO PERKASA





Please Contact Us for the Details!

Elevator Components

GENG-YIG

Machining is an important process to advanced industries. Geng-Yig keeps the faith of "Step by Step" to continue our business and also get the appreciate from "MIURA CO., LTD." as OEM of boiler, etc. Therefore, our processing technology became expert. GENG-YIG ENTERPRISE CO., LTD. was established in 1989 and has presented outstanding machinery-processing technologies to the elevators, which lead the precision elevator accessories to grow steadily.

In 1999, we purchased additional automated production equipment, primarily CNC computer machines, to provide excellent elevator parts with the best service. Together, we have enhanced our efficiency in our production and competitiveness in the industry. Also, with relocation of factory to Changhua County Industrial Park, we have greatly increased our efficiency of distribution to our customers in Northern, Middle, and Southern Taiwan.

In 2003, the branch, PT.CENINDO PERKASA, was established in Jakarta, Indonesia, to develop overseas services. With the support and appreciation of the customer's trust, we have earned a gradual growth abroad.

Our company insisted that all of our elevator components are "made in Taiwan". We strive to give our customers the highest quality guaranteed under our strict production control. Motivated by this objective, we established GENG-JIN ELEVATOR ACCESSORIES CO., LTD. exclusively for elevator-accessories productions in 2006.

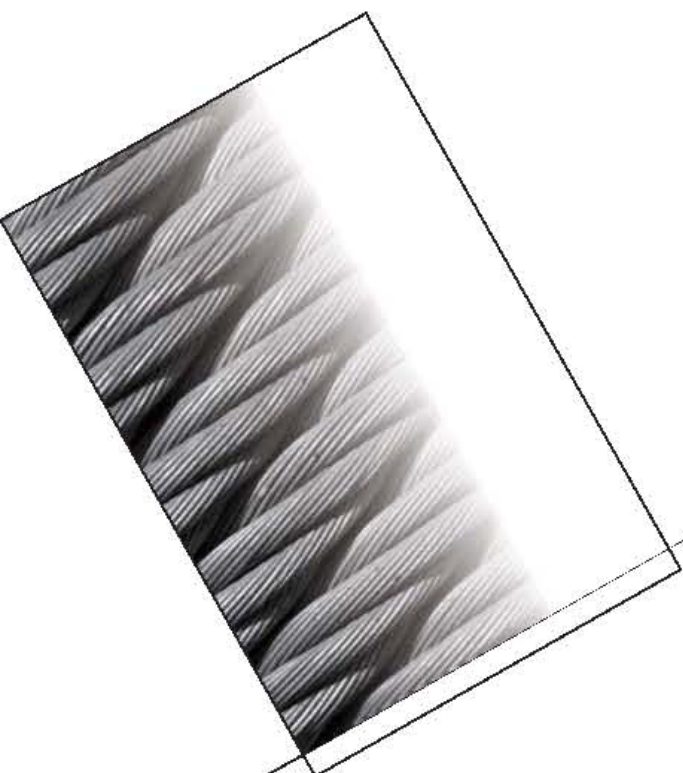
Geng-Yig continues positive developments in various industries. In 2008, we established GREYA TRADING CO., LTD. to represent coffee beans and woodcarving furniture from Indonesia.

For further expansion, "GENG-JIN FOUNDRY CO., LTD." was established in 2011 at Changhua Coastal Industrial Park, with production of as-cast solely for Geng-Yig Enterprise Co., Ltd.

In April 2012, Geng-Jin obtained ISO 9001:2008 certifications. "Customer Focus, Service First" is our primary purpose. Geng-Yig's success today is derived from customer's trust and guidance in improvements. In the future, we will expand the management in various areas to reach diversified developments and run the company with eternity as company policy.



PT. CENINDO PERKASA



DIRECTIVE WHEEL

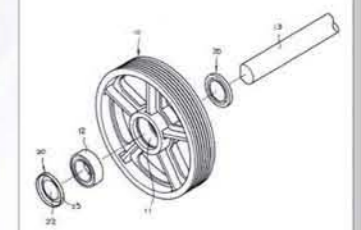
Teco Electric & Machinery Co., Ltd. is our major casting manufacturing supplier. The material is FC25-FC30 and the hardness range is within 180HB-230HB. Bearings of Directive Wheel are made in Japan.



System Structure Patent Certificate



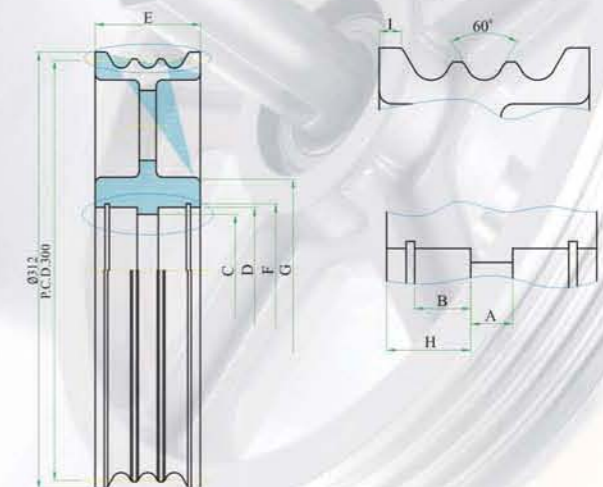
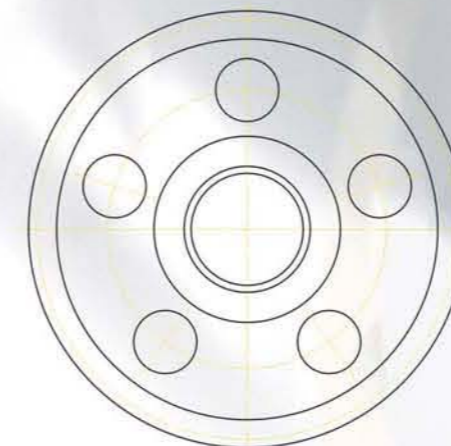
Structure Drawing



NE-300 Series

Type	Axle dia.	A	B	C	D	E	F	G	H	I	Bearing	Cr (kgf)	Cor (kgf)	Remarks
NE-3003	50	15	20	80	90	75	95	133	30	10.5	6210Z	3600	2370	P19xψ12
NE-3004	60	25	25	100	110	95	115	155	35	11	6212Z	5350	3700	P19xψ12
NE-3003	50	5	20	80	90	65	95	133	30	10.5	6210Z	3600	2370	P14xψ10

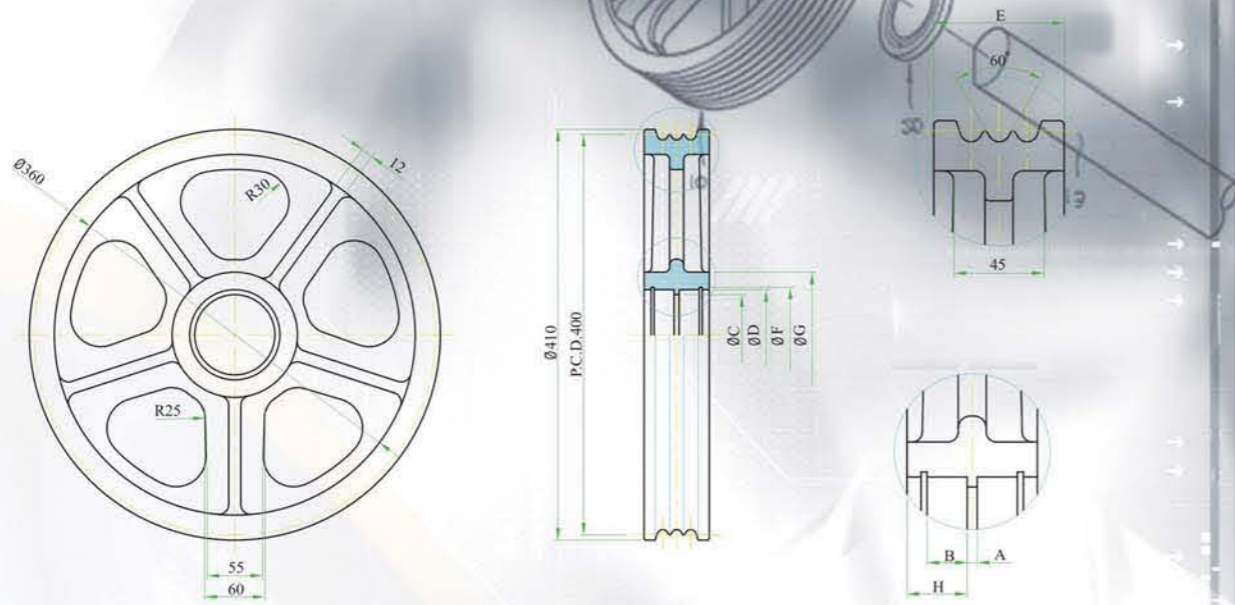
Unit:mm



NE-400 Series

Type	Axle dia.	A	B	C	D	E	F	G	H	Bearing	Cr (kgf)	Cor (kgf)	Remarks
NE-4003	50	5	20	80	90	65	95	125	30	6210Z	3600	2370	P14xψ10
NE-4004	60	16	22	100	110	80	115	145	32	6210Z	5350	3700	P14xψ10
NE-4003	60	28	22	100	110	92	115	145	32	6210Z	5350	3700	P14xψ10

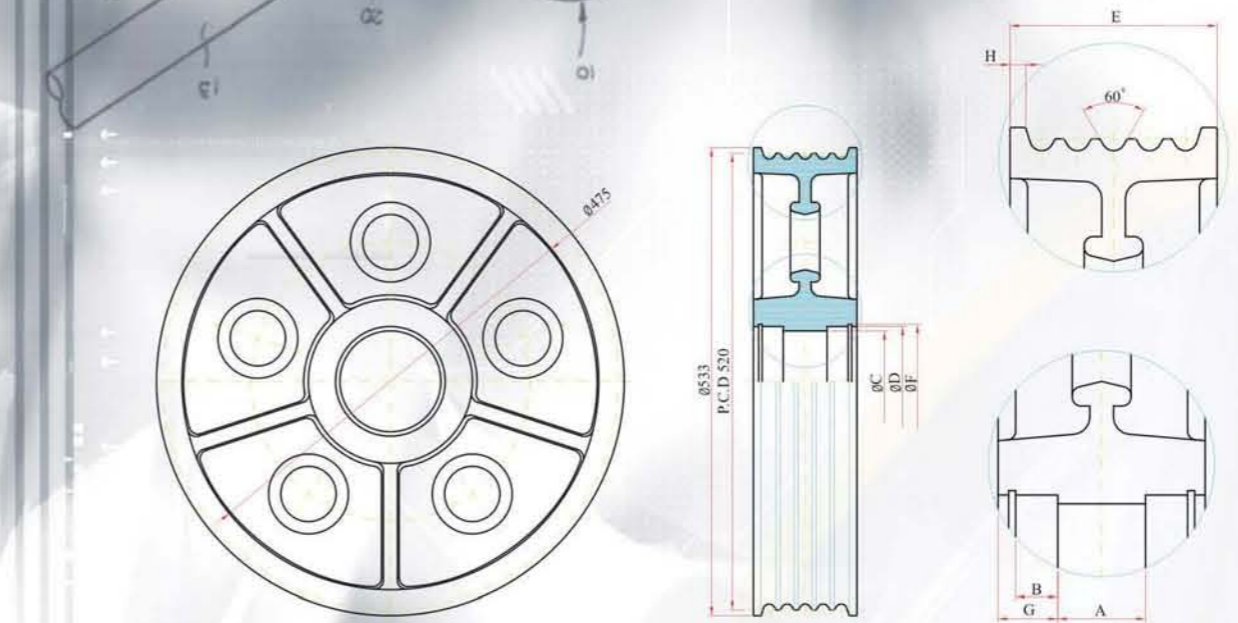
Unit:mm



NE-520 Series

Type	Axle dia.	A	B	C	D	E	F	G	H	Bearing	Cr (kgf)	Cor (kgf)	Remarks
NE-5204	65	20	23	110	120	97	125	38.5	9	6213Z	5850	4100	P20.5xψ12.7
	70	20	24	115	125	97	130	38.5	9	6214Z	6350	4500	P20.5xψ12.7
NE-5205	70	50	24	115	125	118	130	34	8	6214Z	6350	4500	P20.5xψ12.7
	75	45	25	120	130	118	135	36.5	9.5	6215Z	6750	5050	P20.5xψ12.7
NE-5206	70	60	24	115	125	133	130	36.5	6	6214Z	6350	4500	P20.5xψ12.7
	80	56	26	130	140	132	145	38	7	6216Z	7400	5400	P20.5xψ12.7
NE-5207	80	80	26	130	140	157	145	38.5	8	6216Z	7400	5400	P20.5xψ12.7
	85	75	28	140	150	155	155	40	9	6217Z	8550	6300	P20.5xψ12.7

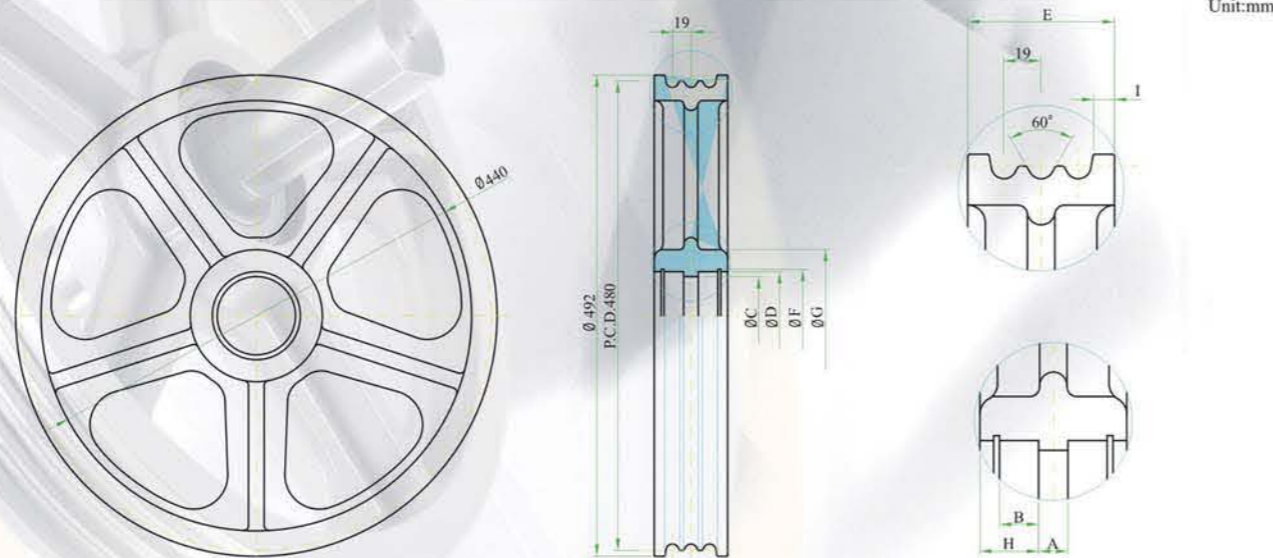
Unit:mm



NE-480 Series

Type	Axle dia.	A	B	C	D	E	F	G	H	I	Bearing	Cr (kgf)	Cor (kgf)	Remarks
NE-4803	50	15	20	80	90	75	95	135	30	10.5	6210Z	3600	2370	P19xψ12
NE-4804	60	25	22	100	110	95	115	155	35	11	6212Z	5350	3700	P19xψ12
NE-4805	65	43	23	110	120	115	125	170	36	11.5	6213Z	5850	4100	P19xψ12
NE-4806	70	60	24	115	125	135	130	175	37.5	12	6214Z	6350	4500	P19xψ12
NE-4807	80	75	26	130	140	155	145	195	42	12.5	6216Z	7400	5400	P19xψ12
NE-4808	90	85	30	150	160	175	165	220	44	13	6218Z	9800	7300	P19xψ12

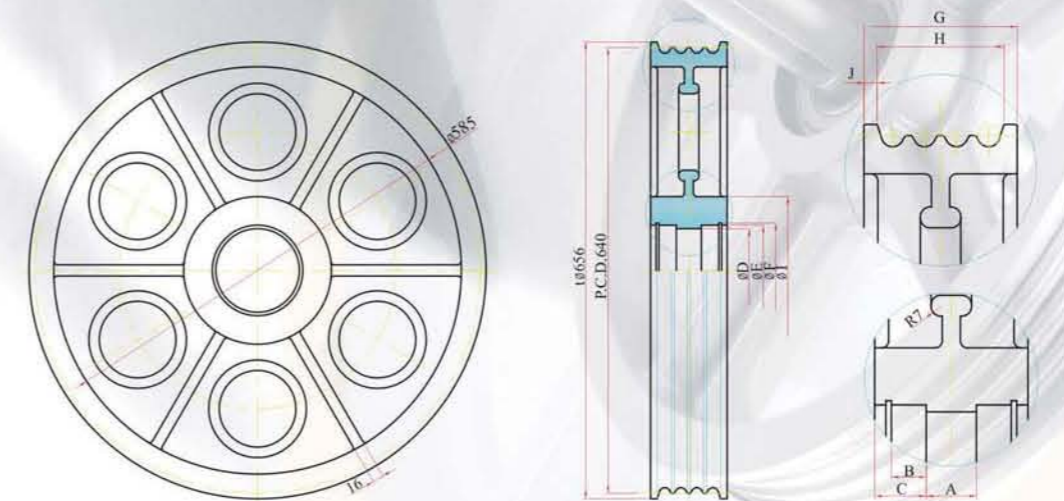
Unit:mm



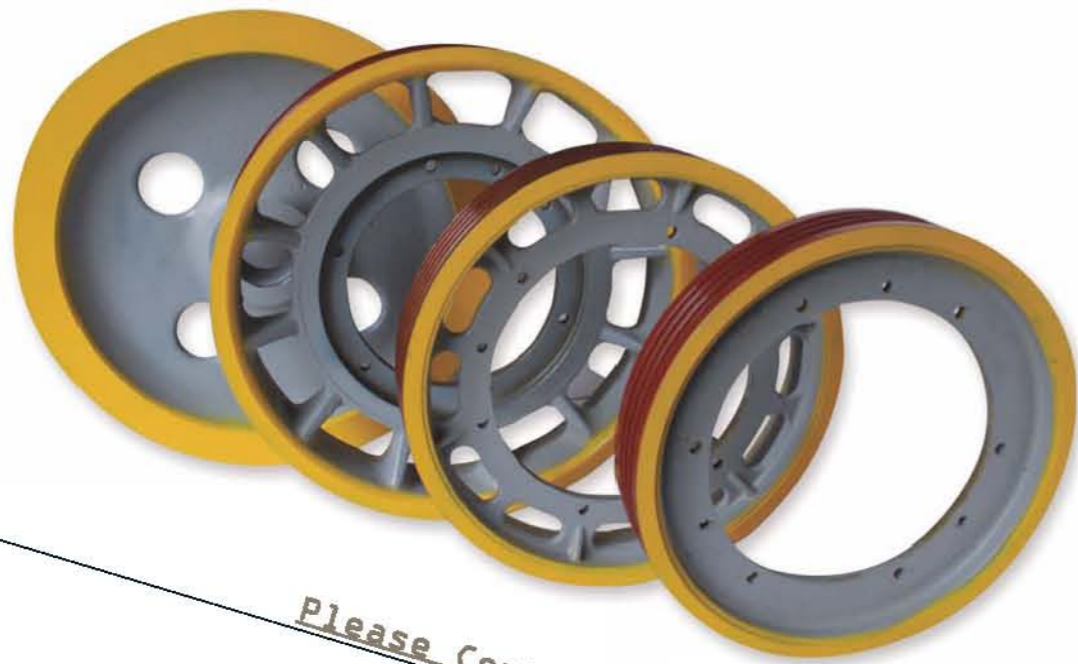
NE-640 Series

Type	Axle dia.	A	B	C	D	E	F	G	H	I	J	Bearing	Cr (kgf)	Cor (kgf)	Remarks
NE-6403	75	15	25	37.5	120	130	136	90	67	212	9.5	6215Z	6750	5050	P23xψ16
NE-6404	75	36	25	37	120	130	136	110	90	212	10	6215Z	6750	5050	P23xψ16
	80	34	26	38	130	140	146	110	90	212	10	6216Z	7400	5400	P23xψ16
NE-6405	85	55	28	40	140	150	156	135	112	232	11.5	6217Z	8550	6300	P23xψ16
	90	51	30	42	150	160	166	135	112	232	11.5	6218Z	9800	7300	P23xψ16
NE-6406	90	76	30	42	150	160	166	160	135	240	12.5	6218Z	9800	7300	P23xψ16
	95	72	32	44	160	170	176	160	135	240	12.5	6219Z	11100	8350	P23xψ16
NE-6407	95	95	32	44	160	170	176	185	158	255	13.5	6219Z	11100	8350	P23xψ16
	100	90	34	47.5	170	180	186	185	158	255	13.5	6220Z	12500	9500	P23xψ16
NE-6408	100	123	34	46	170	180	186	215	183	183	15.9	6220Z	12500	9500	P23xψ16

Unit:mm



MAIN SHEAVE

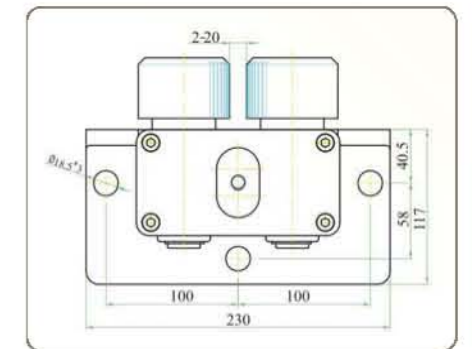
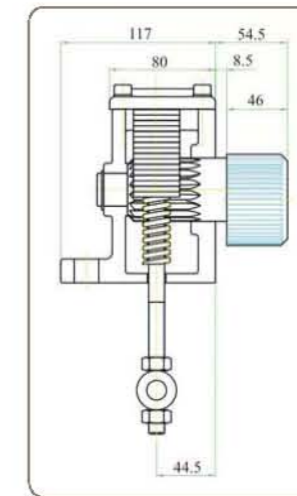
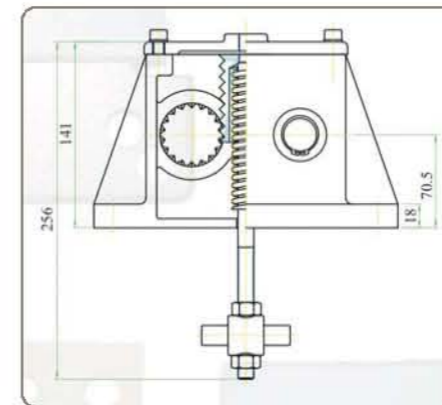


Please Contact Us for the Details!



DEFENCE FALL DEVICE TYPE:SFR-00

Defence Fall Device is made by FCD-45 material with highly pulling force. Brake wheel axle is integral formed. It had been processed with high frequency wave.



DOOR SHOE



Type:A



Type:B



Type:C



Type:D



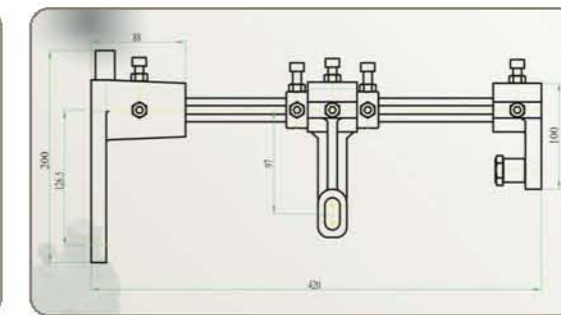
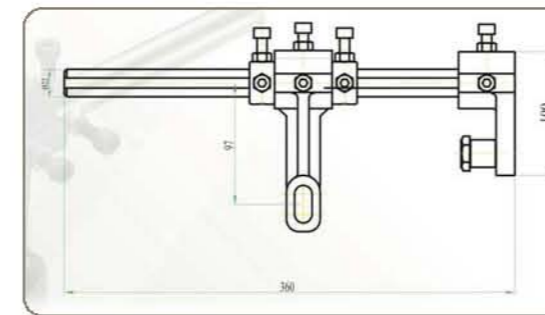
Type:E

BRAKE BLOCK

Brake block's surface uses degauss hard strength processing and passed the test of "METAL INDUSTRIES RESEARCH & DEVELOPMENT CENTRE REGION R & D SERVICE DEPARTMENT(TAICHUNG)". Test report is attached.

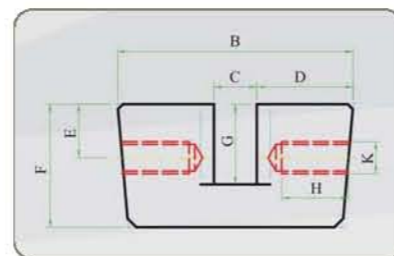
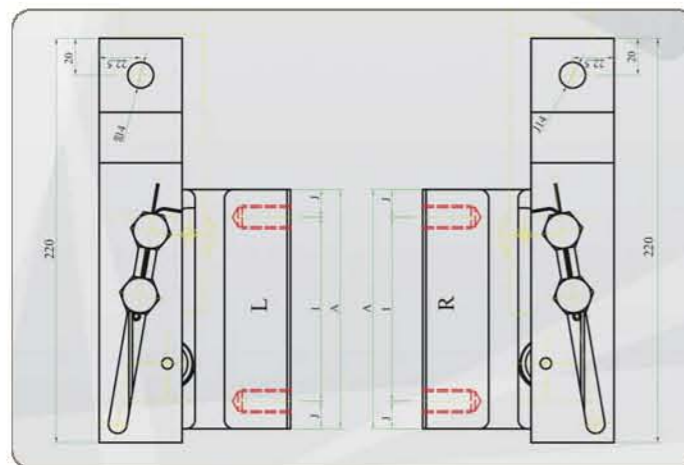


**BRAKE PULLING ROD
TYPE:DB-00**



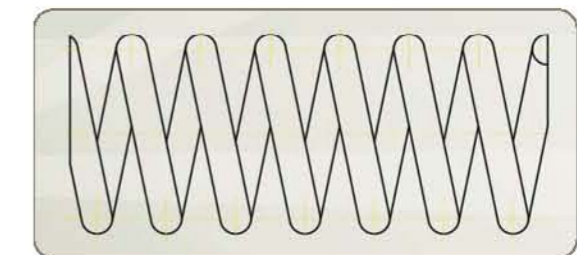
Type	Dimension	A	B	C	D	E	F	G	H	I	J	K	Remarks
SFD-100-8K-R	100(4")-8K-R	130	88	16	36	20	46	30	17	100	15	M12*P1.75	
SFD-100-8K-L	100(4")-8K-L	130	88	16	36	20	46	30	17	100	15	M12*P1.75	
SFD-125-8K-R	125(5")-8K-R	120	108	16	46	20	60	30	20	90	15	M12*P1.75	
SFD-125-8K-L	125(5")-8K-L	120	108	16	46	20	60	30	20	90	15	M12*P1.75	
SFD-125-13K-R	125(5")-13K-R	120	108	22	43	20	60	35	20	90	15	M12*P1.75	
SFD-125-13K-L	125(5")-13K-L	120	108	22	43	20	60	35	20	90	15	M12*P1.75	
SFD-150-24K-R	150(6")-24K-R	120	131	22	54.5	25	70	35	20	90	15	M16*P2	
SFD-150-24K-L	150(6")-24K-L	120	131	22	54.5	25	70	35	20	90	15	M16*P2	

Unit:mm



BUFFER SPRING

Buffer spring is 100% Made in Taiwan. To ensure the best quality, we don't use the products from China absolutely.



Type	Diameter			Freedom Length (L)	Stroke	Using Circle	Max. Load (kgs)	Remarks
	Outer	Inner	Line					
B-110	110	78	16	270	110	8	1085 kgs	
B-120	120	80	20	285	105	7	2400 kgs	
B-124	124	100	12	255	147	7	310 kgs	
B-125	125	75	25	290	40	8	1953 kgs	
B-130	130	90	20	310	150	6	3005 kgs	

Unit:mm

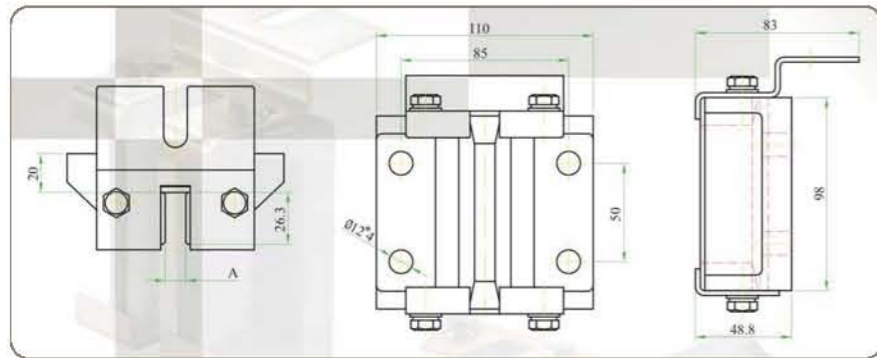
GUIDE SHOE

GSA Series

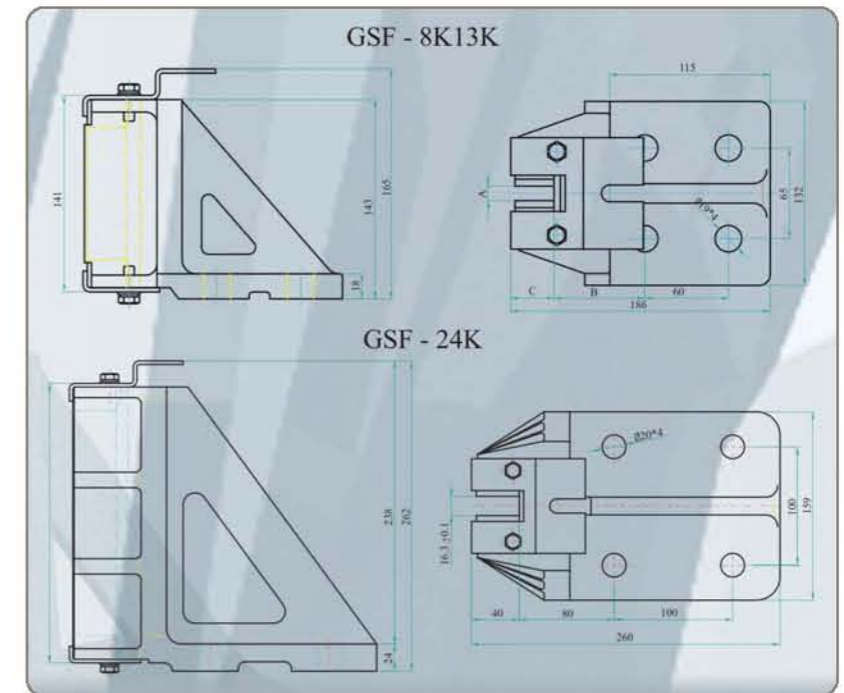
Type	Oil Bracket	A	Remarks
GSA-8K	With / No	10.46±0.05	
GSA-13K	With / No	16.45±0.05	

Unit:mm

The material is FCD 45 which contains highly anti-pulling force, especially GSA, GSC, GSF and GST Type. We promise to give the best material source and the highest quality guarantee to our customers.



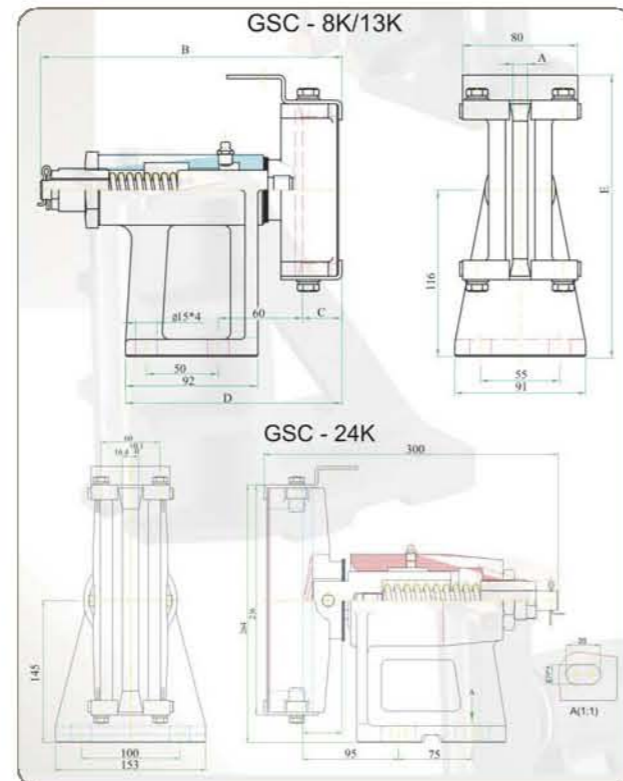
GSF Series



Type	Oil Bracket	A	B	C	Remarks
GSF-8K	With / No	10.46±0.05	65	31	
GSF-13K	With / No	16.45±0.05	60	36	
GSF-24K	With / No	xxx	xxx	xxx	

Unit:mm

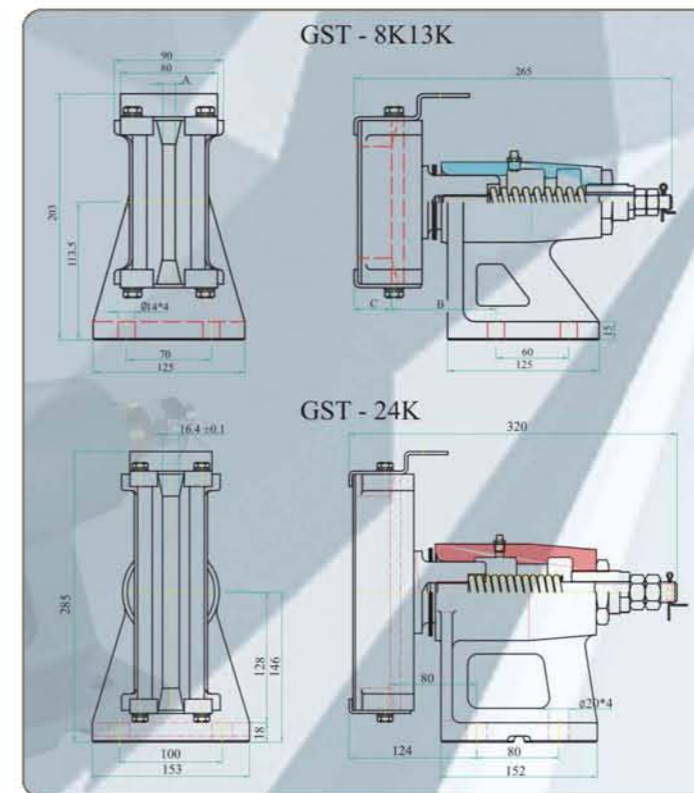
GSC Series



Type	Oil Bracket	A	B	C	D	E	Remarks
GSC-8K	With / No	10.46±0.05	210	27	155	197	
GSC-13K	With / No	16.45±0.05	215	32	160	197	
GSC-24K	With / No	xxx	xxx	xxx	xxx	xxx	

Unit:mm

GST Series



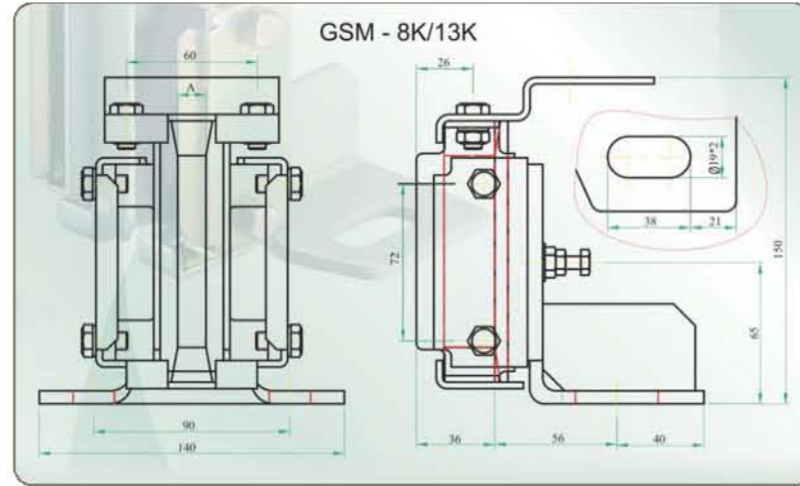
GST Series



Type	Oil Bracket	A	B	C	Remarks
GST-8K	With / No	10.46±0.05	85	31	
GST-13K	With / No	16.45±0.05	80	36	
GST-24K	With / No	xxx	xxx	xxx	

Unit:mm

GSM Series



Type	Oil Bracket	A	Remarks
GSM-8K	With	10.46±0.05	
GSM-13K	With	16.45±0.05	

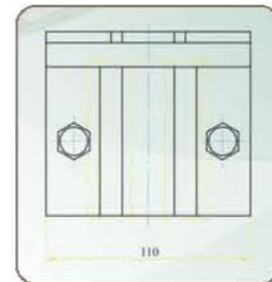
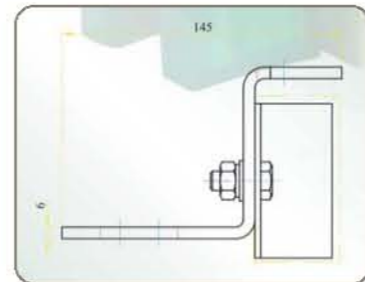
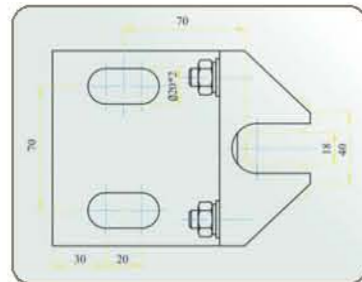
Unit:mm



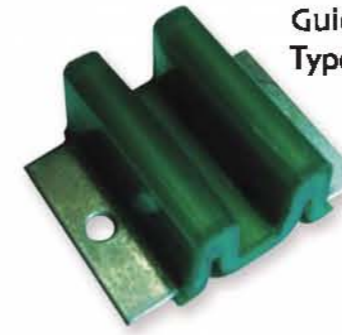
GSE Series

Type	Oil Bracket	Remarks
GSE-5K	No	
GSE-5K-OIL	With	

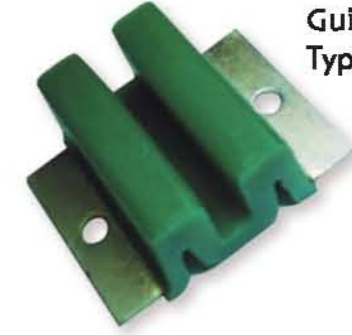
Unit:mm



GH Series



Guide Shoe For 5K
Type:GH-16



Guide Shoe For 8K
Type:GH-16-1



Type:RA-01

RUBBER ABSORBER

Max. Load: 2000kgs



Type:RA-02

RUBBER CAR (LOWER FIXING)

GUIDE ROLLER

Type:RG-8008
For Guide Rail 8K



Type:RG-8013
For Guide Rail 13K

Type:RG-12408 & 13

Type	L (mm)	For Guide Rail	Remarks
RG-12413	16.5	13K	
RG-12408	10.5	8K	

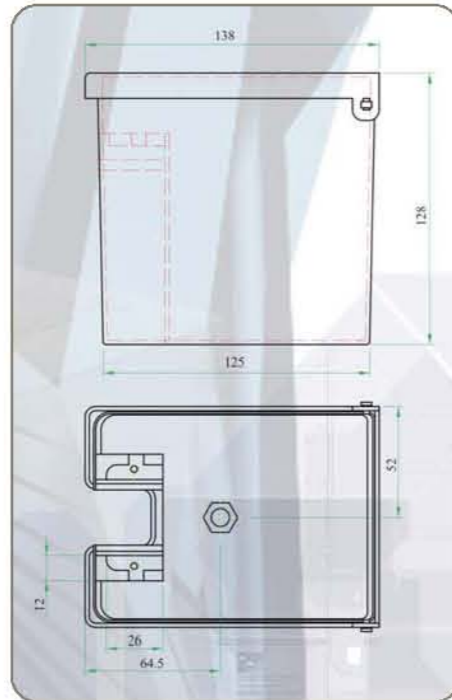
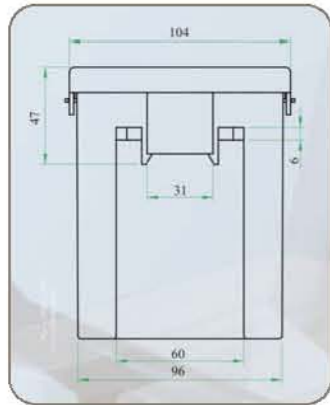


Elevator Components



OILER

TYPE:GH-18(OL-006)



TYPE:OB-014

OIL BUFFER

Max. Load: 2500kgs
For Speed: 45~60mpm.

TYPE:TM-1308



OVERLOAD SWITCH

SEISMIC SWITCH

(Dual Section Control System)
Type:V-858N1



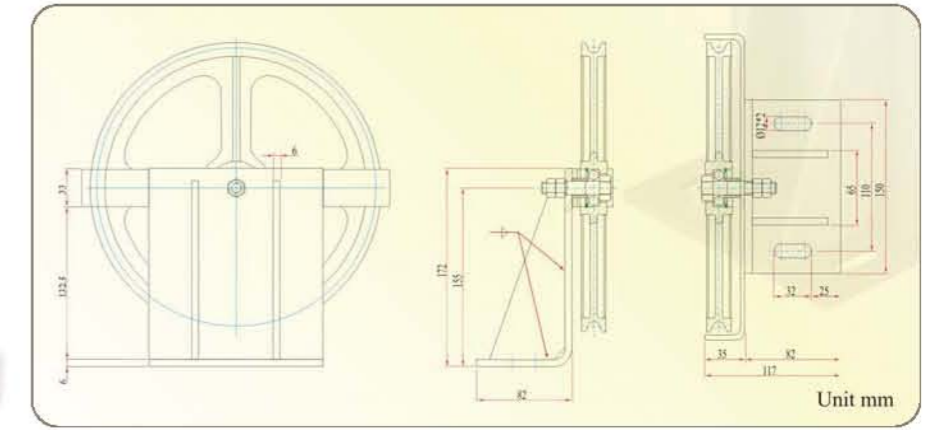
SAFETY EDGE

Center Opening:
L = 2070mm Type:SE-CO-2070
L = 2015mm Type:SE-CO-2105

TYPE:PH-04RC



REED MAGNETIC SWITCH



STRAIN WHEEL

Type:CA-250

Type	A	B	C	D	E	Material	Remarks
UV-8K	35	30	11	14	18	SS45C	
UT-13K	47	39	14	17	20	SS45C	
UT-18K	46	48	18	21	25	SS45C	
UT-24K	50	60	16.5	21	35	SS45C	



Unit:mm

Other Specification:

Type:UT-5K

Please Contact Us For Details.

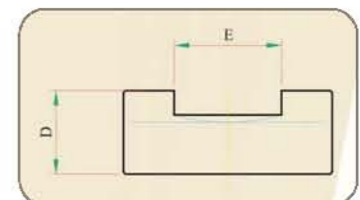
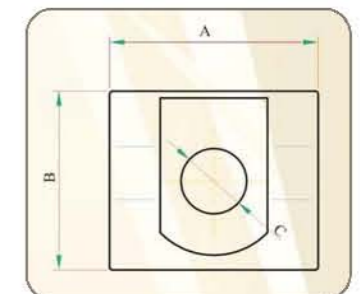
GOVERNOR & TENSION DEVICE



Governor Speed 15~105mpm
Type:GVR-00



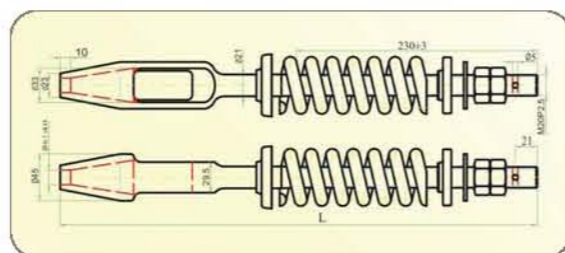
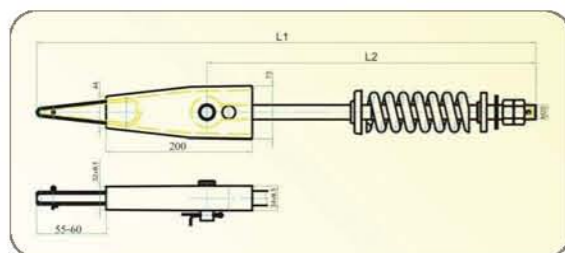
Tension Device
Type:TD-00



STEEL ROPE ROD



Steel rope clamp is imported from Japan which is manufactured by "SUMITOMO" with "Inspection Certificate". Steel rope tube is integrated formed, also passed the pulling force test in "Metal Industries Research and Development Centre Region R & D Service Department(Taichung)" and test report is attached. Spring is 100% made in Taiwan.



Type	L1	L2	Remarks
TRC-12SA	856.5±5	650	
TRC-12SB	656.5±5	450	

Unit:mm

Type	For Wireψ	L	Remarks
TRC-12A	12mm	610	
TRC-12B	12mm	455	

Unit:mm



DOOR MOTOR & DOOR MOTOR CONTROLLER

DOOR MOTOR CONTROLLER

TDM-Series Explanation:



TDM S 1 - B
① ② ③ ④

① ⇔ Product: TDM = TDM Serious Door Controller

② ⇔ Door Open/Close Signal Contact:

S = Single Contact

D = Dual Contacts

V = Dual Contacts plus External DC24V

③ ⇔ Door Controller Voltage Input:

1 = AC1 10V 50/60Hz or DC110V

2 = AC230V 50/60Hz

Warning: Incorrect Voltage will Damage the Door Controller

④ ⇔ Option code

B = O,C controller - Available for Optical or Proximity sensor

P = Available for PM motor



Type:DR-2009A

Power Input: AC85V-110V or DC110V-150V.

Output Voltage: DCoV-140V ±10%

Output Capacity: 80W~250W



Type:DRVF-2012A

AC-VVVF Door Motor Controller

Power Input: 1Ø AC110V and 1Ø AC220V two type

Output frequency: 0-60HZ

Output Capacity: 3Ø AC Motor Max. 1/3HP

DOOR MOTOR



DC MOTOR, INPUT: DC 110V

TM-Series:

Type:TM20(70W)

Type:TM28(90W)

Type:TM40(100W)

Type:TM50(150W)

Type:TM70(200W)

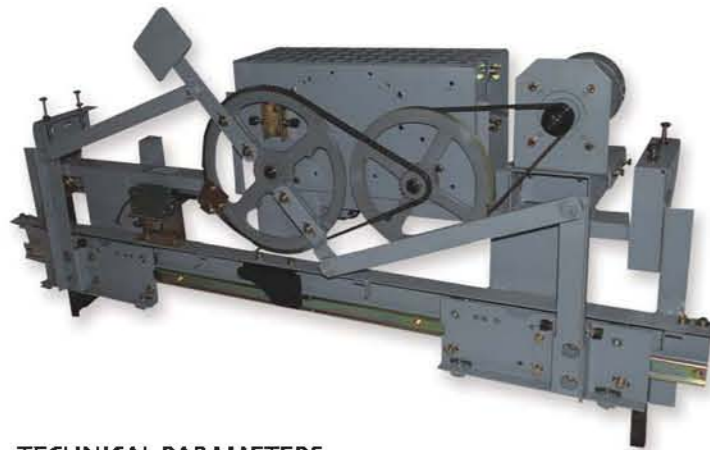
TP-Series:

Type:TP-22(70W)

Type:TP-25(100W)

DOOR MOTOR IN CAR & ENTRANCE DOOR

DOOR MOTOR IN CAR CENTRAL OPENING



TECHNICAL PARAMETERS

Type	CO-700	CO-750	CO-800	CO-850	CO-900	CO-950	CO-1000	CO-1050	CO-1100
JJ	700	750	800	850	900	950	1000	1050	1100
A1	1562	1562	1650	1800	1850	1950	2050	2150	2250
A2	DETERMINED BY THE INNER SIZE OF CROSS BEAM OF CAR FRAME								
A3	DETERMINED BY THE HALF DEPTH OF CAR								
B.b	DETERMINED ON CUSTOMERS REQUIREMENTS								

Unit:mm

ENTRANCE DOOR CENTRAL OPENING



TECHNICAL PARAMETERS

Type	CO-700	CO-750	CO-800	CO-850	CO-900	CO-950	CO-1000	CO-1050	CO-1100
JJ	700	750	800	850	900	950	1000	1050	1100
A1	1486	1586	1686	1886	1886	1986	2086	2186	2286
A2	380	405	430	455	480	505	530	555	580
a	225	250	275	300	325	350	375	400	425

Unit:mm

DOOR MOTOR IN CAR SIDE OPENING



TECHNICAL PARAMETERS

Type	2S-800	2S-900	2S-1000	2S-1100	2S-1200
JJ	800	900	1000	1100	1200

Unit:mm

ENTRANCE DOOR SIDE OPENING



TECHNICAL PARAMETERS

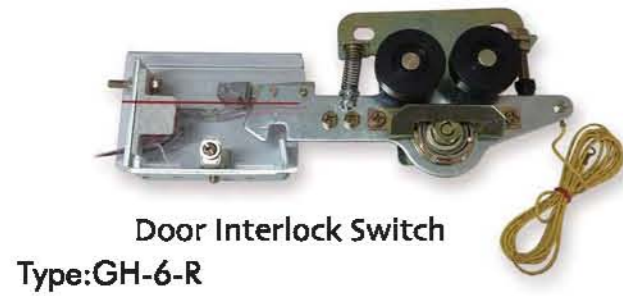
Type	2S-800	2S-900	2S-1000	2S-1100	2S-1200
JJ	800	900	1000	1100	1200

Unit:mm

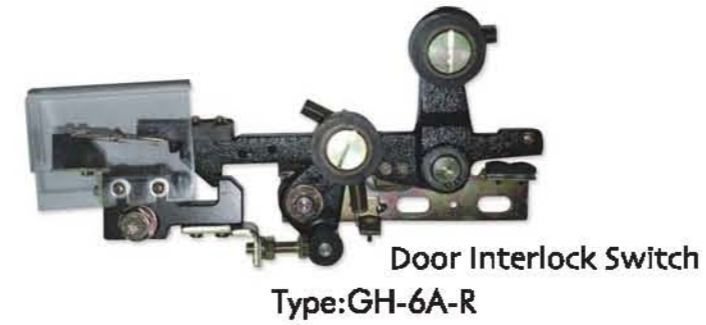


DOOR INTERLOCK SWITCH & RELATED PARTS

GH-6 SERIES & PARTS



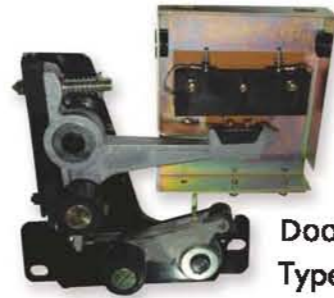
GH-6A SERIES & PARTS



GH-7 SERIES & PARTS



Door Interlock Switch
Type:GH-7-R



Door Interlock Switch
Type:GH-7-L



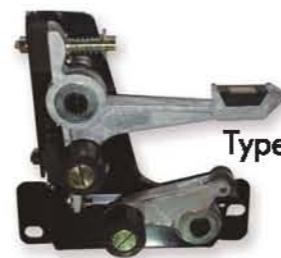
Base For Door Interlock
Type:GH-7-1



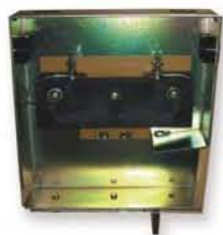
Contact Point For Door Interlock
Type:GH-7-2



Door Interlock
Type:GH-7-3-R



Door Interlock
Type:GH-7-3-L



Switch Box For Door Interlock
Type:GH-7-4-R



Switch Box For Door Interlock
Type:GH-7-4-L

GH-8 SERIES & PARTS



Door Interlock Switch
Type:GH-8-R



Door Interlock Switch
Type:GH-8-L



Roller For
Door Interlock Bearing 6002
Type:GH-8-1



Door Switch
Type:GH-8-2



Contact Point
For Door Interlock
Type:GH-8-3



Door Interlock
Type:GH-8-4-R



Door Interlock
Type:GH-8-4-L



Switch Box
For Door Interlock
Type:GH-8-5-R



Switch Box
For Door Interlock
Type:GH-8-5-L

ROLLER



Type:56x14(R)
Bearing: 6201



Type:72x14.6(R)
Bearing: 6202



Type:72x16
Bearing: 6202



Type:62x16(R)
Bearing: 6203



Type:62x16
Bearing: 6203



Type:85x21
Bearing: 6204



Type:140x20
Bearing: 6204



Type:90x11
Bearing: Roller Wire
Core Bearing 6200



Type:25x9
Roller Excentral

Other Specification:

- Type:60x16
Bearing 6202/6203
- Type:65x13
Bearing 6202
- Type:85x16(R)
Bearing 6204, etc.
- Type:85x40x18(R)
Bearing 6203

Please Contact Us For Details.



Encoder Sumtak DC+12~24V
Output Pulse: 600P/R ; 1000P/R ; 1024P/R
Shaft dia. Ψ 6mm
Type:IRS-320/330/360



Encoder Summit DC \pm 15V \pm 10%
Output Pulse: 1024P/R
Shaft Hole dia. Ψ 30mm ; Ψ 40mm



Encoder Heidenhain, Voltage: DC 5V
Type:ECN-1313



Encoder Tamagawa, Voltage: DC 5V
Type:01H60-8192P20-L6-5V



Emergency Key Door Release
Type:EKD-01



Hold Rod
Type:HR-02



Emergency Key Switch
Include Hold Rod
Type:EKS-01



Emergency Key Switch
Type:EKS-02

LIMIT SWITCH



T-Type Limit Switch (1A/1B)
Type:GH-19



T-Type Limit Switch (1A/1B)
Type:GH-19-R



Two Way Limit Switch (1A/1B)
Type:GH-20



Two Way Limit Switch (1A/1B)
Type:GH-20-R



Emergency Limit Switch (1A/1B)
Type:GH-21



Emergency Limit Switch (1A/1B)
Type:GH-21-R

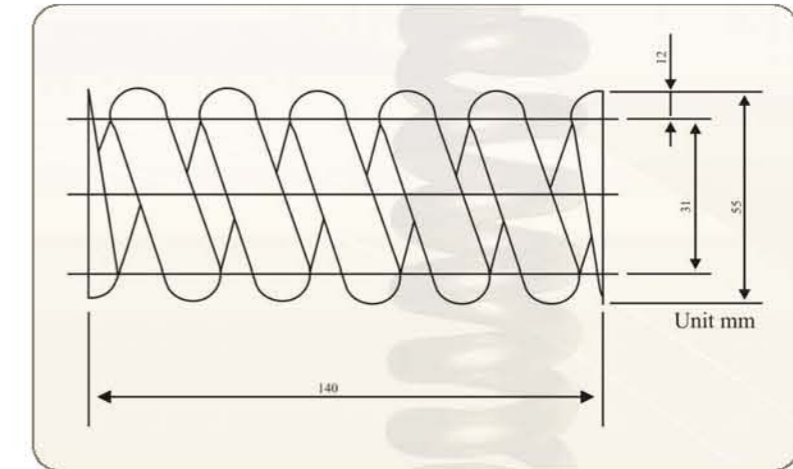


Limit Switch (1A/1B)
Type:GH-22

THIMBLE ROD SPRING(8 Circle)



Type:B-55C 140L



LIST ALUMINIUM



List Aluminium 1240mm (For 2mm Stainless)
Type:1240MM

LIFT FLOOR(VINYL TILE)

Dimension: 18" x 18" Thickness: 2.5mm Packing: 16pcs/Box



PS: The above print out color is just for reference. Please refer to the actual color of product.

TRAVELLING SAFETY SWITCH

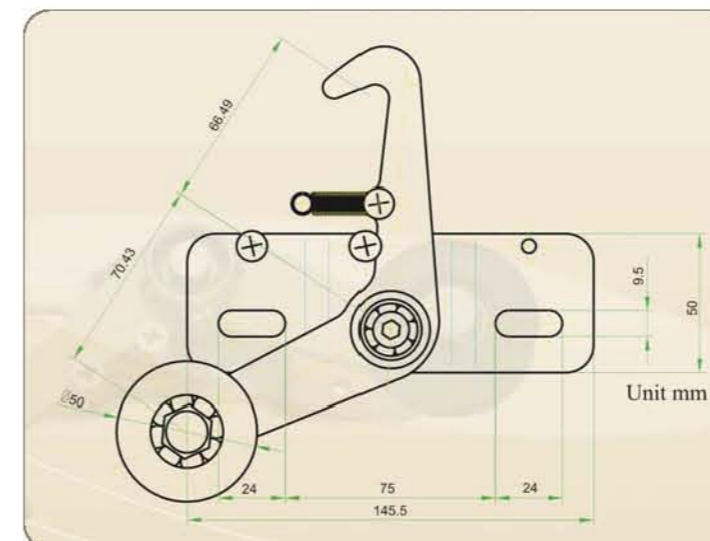


Type:GB14048.5

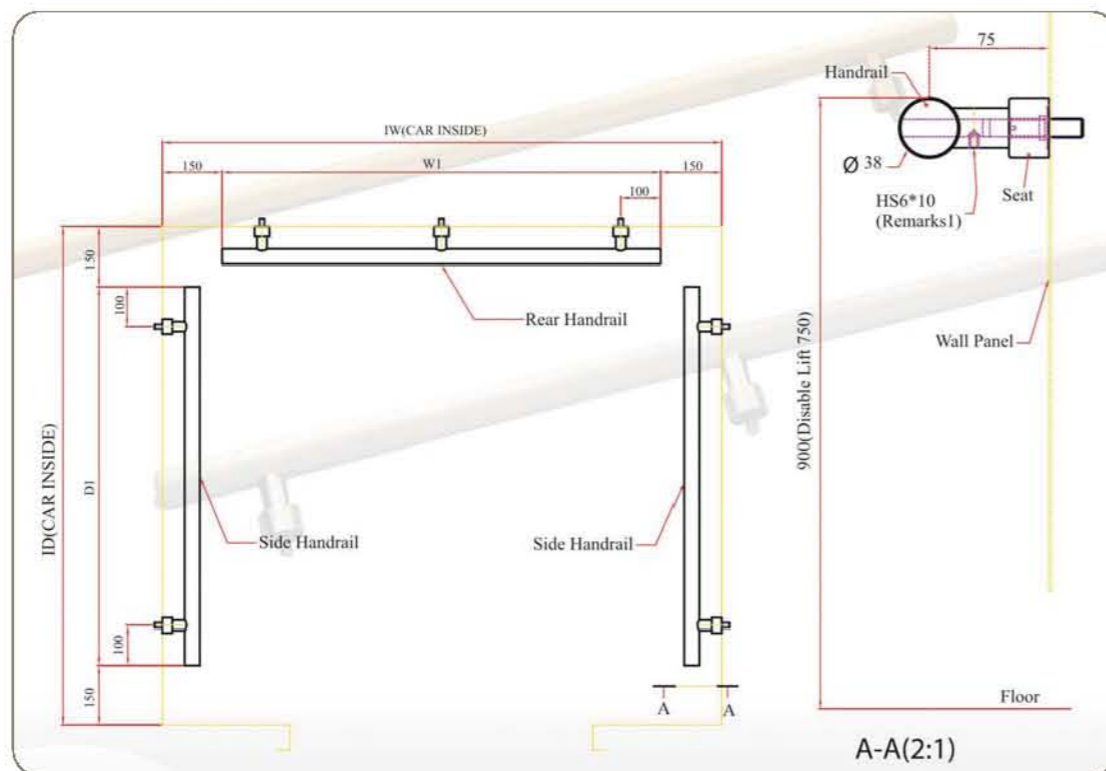
SAFETY LATCH



Type:HR-00



HANDRAIL



Code No.	Rear Handrail	(2) Side Handrail	W1	D1	IW*ID	TYPE
TW5259D01	TW351E06	TW351E01	1100	550	1400*850	P6
TW5259D02	TW351E06	TW351E02	1100	730	1400*1030	P8
TW5259D03	TW351E06	TW351E03	1100	800	1400*1100	P9
TW5259D04	TW351E06	TW351E04	1100	950	1400*1250	P10
TW5259D05	TW351E06	TW351E05	1100	1050	1400*1350	P11
TW5259D06	TW351E06	TW351E06	1100	1100	1400*1400	P12
TW5259D07	TW351E08	TW351E05	1300	1050	1600*1350	P13
TW5259D08	TW351E08	TW351E07	1300	1200	1600*1500	P15
TW5259D09	TW351E10	TW351E07	1500	1200	1800*1500	P17
TW5259D10	TW351E11	TW351E07	1700	1200	2000*1500	P20
TW5259D11	TW351E11	TW351E09	1700	1450	2000*1750	P24
TW5259D00	According to request					

Unit:mm

Remarks:

1. When install the handrail, please fix the seat into wall panel, and screw holes must be facing to floor
2. After that, the handrail installs to seat and fix with HS 6 x 10 screw

GONG, BUZZER, ELECTRONIC DIVERSITY BELL & VOICE ANNOUNCEMENT



Gong
Voltage: AC 110V / AC 220V / DC 24V
Type:GH-14



Buzzer
Voltage: AC 220V
Type:GH-15



Voice Announcement

Model 1: All input is binary code
Type:M1TH

Model 2: All input is one by one
Type:M2TH

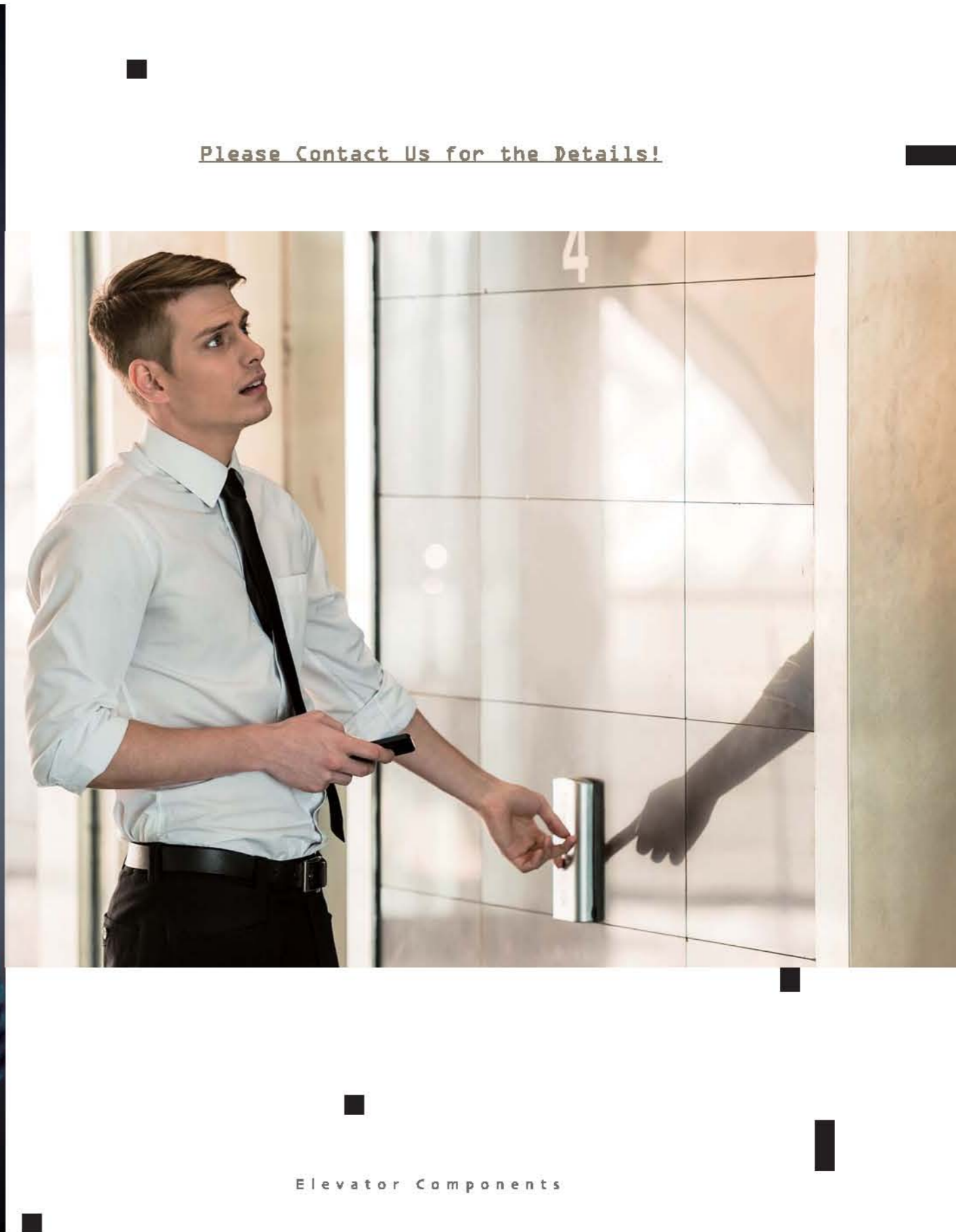
Model 3: Floor input is binary code (5 bits)
Type:M3TH

Model 4: Floor input is seven segment / B6~26
Floor(Display 88)
Type:M4TH

Model 5: Floor input is gray code (32 Floors)
Type:M5TH



Electronic Diversity Bell
Voltage: DC 24V
Voice: Chinese / English / Indonesia
Type:HL-24 C/E/I



Please Contact Us for the Details!

Elevator Components

INTERPHONE & RELATED PARTS



Multiple Master Station(10 Channel)
Voltage: DC 6V or DC 12V
TYPE:GH-1



Multiple Master Station(6 Channel)
Voltage: DC 24V
TYPE:GH-1



Multiple Car Station
Voltage: DC 6V / 12V / 24V
TYPE:GH-2



1 To Master Station
Voltage: DC 6V
TYPE:GH-3



1 To 1 Master Station
Voltage: DC 6V
TYPE:GH-3-1



1 To 1 Master Station
Voltage: DC 6V
TYPE:GH-3-2



1 To 1 Car Station
Voltage: DC 6V
TYPE:GH-4
TYPE:GH-4-1
TYPE:GH-4-2



Interphone For Dumbwaiter
Voltage: AC 110V / 220V or DC 24V
TYPE:TU1-8F

POWER SUPPLY



TYPE:EP-06BS Voltage: DC 6V
TYPE:EP-12BS Voltage: DC 12V
TYPE:UP-2402-2 Voltage: DC 24V

PROXIMITY READER



Proximity Card Control System
Max. 8F. 16F. 24F. 32F. 64F
& 99 Group Setting
TYPE:PP3750

PHOTO SWITCH



U-Type Photo Switch

TYPE:PH-01R (Voltage: DC 24V)
TYPE:PH-01T (Voltage: DC 12V)
TYPE:PH-02R (Voltage: DC 48V)



Proximity Reader

TYPE:PN-5878



Mini Photo Switch
Voltage: DC 24V

TYPE:PH-03R

BUTTON

PUSH BUTTON



Type:PB-1
30L x 30W



Type:PB-3
45L x 32W



Type:BT-20U
35.5L x 29W



Type:BT-22X
35.5L x 29W



Type:BT-50U
35.5L x 31W



Type:BT-51V
35.5L x 31W



Type:BT-52X
35.5L x 31W



Type:BT-55L
35.5L x 31W



Type:LY-02
33.6L x 29W



Type:LY-02B
33.6L x 29W



Type:LY-03
41L x 36.5W



Type:LY-04
31.4L x 31.4W



Type:LY-04B
31.4L x 31.4W



Type:PB11R235
34L x 34W



Type:PB11R645
34L x 34W



Type:PB12R542
34L x 34W



Type:PB-4
Ø: 39



Type:BT-11S
Ø: 30



Type:BT-12M
Ø: 30



Type:BT-13C
Ø: 30



Type:PB18R745
Ø: 37

Unit:mm

TOUCH BUTTON & KEY SWITCH



Type:BT-15A
29L x 33.5W



Type:BT-65B
Ø: 30



Type:BT-73A
Ø: 37.8



Type:BT-74A
Ø: 37.8



Type:BT-77A
Ø: 37.8



Key Switch
Type:BT-18G

Unit:mm

FIREMAN SWITCH



Type:HB-140(SUS-HL)
Dimension: 104W x 250L (mm)
Box: 90W x 230L (mm)



Type:HC-140(SUS-HL)
Dimension: 104W x 250L (mm)
Box: 90W x 230L (mm)



Type:PH-140(PLASTIC)
Dimension: 106W x 250L (mm)
Box: 90W x 230L (mm)

HALL LANTERN

MATERIAL: STAINLESS HAIRLINE



HL-01
Dimension: 100W x 300L
Box: 280L x 80W x 75H



HL-02
Dimension: 130W x 300L
Box: 280L x 80W x 75H



HL-03
Dimension: 100W x 300L
Box: 280L x 80W x 75H



HL-05
Dimension: 100W x 300L
Box: 280L x 80W x 75H



HL-07
Dimension: 100W x 300L
Box: 280L x 80W x 75H

MATERIAL: MIRROR STAINLESS



HL-04
Dimension: 100W x 300L
Box: 280L x 80W x 75H



HL-06
Dimension: 100W x 300L
Box: 280L x 80W x 75H



HL-08
Dimension: 100W x 300L
Box: 280L x 80W x 75H



HL-11

CAR OPERATION PANEL(COP) & HALL INDICATOR PANEL(HIP)

PC SERIES (PLASTIC-Modular)

Unit:mm



Type:PC-1000(S/D)
Dimension: 1000L x 163W
Box: 980 x 145 x 75

Type:PC-1240(S/D)
Dimension: 1240L x 163W
Box: 1220 x 145 x 75

Type:PC-1480(S/D)
Dimension: 1480L x 163W
Box: 1460 x 145 x 75



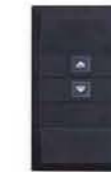
Type:PH-0385(S/D)
Dimension: 385L x 106W
Box: 360 x 90 x 75



Type:PH-0480(S/D)
Dimension: 480L x 163W
Box: 460 x 145 x 75



Type:PH-0250
Dimension: 250L x 106W
Box: 230 x 90 x 75



Type:PD-0280
Dimension: 280L x 163W
Box: 260 x 145 x 75



Type:PH-0250(S/D)
Dimension: 250L x 106W
Box: 230 x 90 x 75



Type:PD-0280(S/D)
Dimension: 280L x 163W
Box: 260 x 145 x 75

CC SERIES (SUS-HL-Aluminium Strips)



Type:CC-1000(S/D)
Dimension: 1000L x 162W
Box: 980 x 145 x 75

Type:CC-1240(S/D)
Dimension: 1240L x 162W
Box: 1220 x 145 x 75

Type:CC-1480(S/D)
Dimension: 1480L x 162W
Box: 1460 x 145 x 75



Type:HC-345(S/D)
Dimension: 345L x 104W
Box: 325 x 90 x 75



Type:HDC-430(S/D)
Dimension: 430L x 186W
Box: 410 x 169 x 75



Type:HC-250
Dimension: 250L x 104W
Box: 230 x 90 x 75



Type:HDC-250
Dimension: 250L x 186W
Box: 230 x 169 x 75



Type:HC-250(S/D)
Dimension: 250L x 104W
Box: 230 x 90 x 75



Type:HDC-250(S/D)
Dimension: 250L x 186W
Box: 230 x 169 x 75

PB SERIES (SUS-HL-Folded End)

Unit:mm



Type:PB-1200(S/D)
Dimension: 1200L x 165W
Box: 1180 x 145 x 80

Type:PB-1400(S/D)
Dimension: 1400L x 165W
Box: 1380 x 145 x 80

Type:PB-1600(S/D)
Dimension: 1600L x 165W
Box: 1580 x 145 x 80



Type:PB-200
Dimension: 200L x 100W
Box: 180 x 85 x 70



Type:PB-450(S/D)
Dimension: 450L x 100W
Box: 435 x 85 x 70

SB-20 SERIES (SUS-HL-Folded End)

Unit:mm



Type:SB-20-H
Dimension: 270L x 105W
Box: 250 x 90 x 75



Type:SB-20(L/M)-C
Dimension: 1000L x 160W
Box: 980 x 145 x 75

Dimension: 1240L x 160W
Box: 1220 x 145 x 75



Type:SB-20(L/M)-H
Dimension: 380L x 105W
Box: 360 x 90 x 75

SB-23 SERIES (SUS-HL-Folded End)

Unit:mm



Type:SB-23-H
Dimension: 270L x 105W
Box: 250 x 90 x 75



Type:SB-23(L/M)-H
Dimension: 380L x 105W
Box: 360 x 90 x 75



Type:SB-23(L/M)-C
Dimension: 1000L x 160W
Box: 980 x 145 x 75

Dimension: 1240L x 160W
Box: 1220 x 145 x 75

SB-24 SERIES (SUS-HL-Flat)

Unit:mm



Type:SB-24-H
Dimension: 270L x 105W
Box: 250 x 90 x 75



Type:SB-24(L/M)-H
Dimension: 380L x 105W
Box: 360 x 90 x 75



Type:SB-24(L/M)-C
Dimension: 1000L x 160W
Box: 980 x 145 x 75

Dimension: 1240L x 160W
Box: 1220 x 145 x 75



DISPLAY

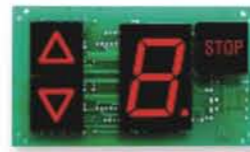
DISPLAY SEGMENT



Type:DP-03BC
(136L x 80W) mm



Type:DP-03B
(136L x 80W) mm



Type:DP-04BC
(136L x 80W) mm



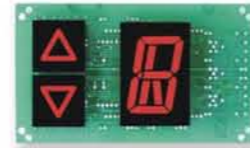
Type:DP-04B
(136L x 80W) mm



Type:DP-05CC
(136L x 80W) mm



Type:DP-05C
(136L x 80W) mm



Type:DP-06CC
(136L x 80W) mm



Type:DP-06C
(136L x 80W) mm



Type:DP-07DC
(136L x 80W) mm



Type:DP-07D
(141L x 80W) mm



Type:DP-08DC
(136L x 80W) mm



Type:DP-08D
(136L x 80W) mm



Type:LY-S8-02
(136L x 70W) mm



Type:LY-S8-01
(180L x 82W) mm

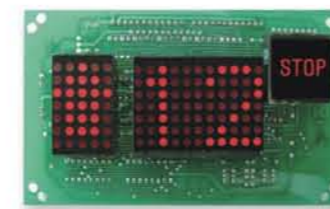


Type:LY-B8-02
(136L x 70W) mm



Type:LY-B8-01
(180L x 82W) mm

DISPLAY DOT MATRIX



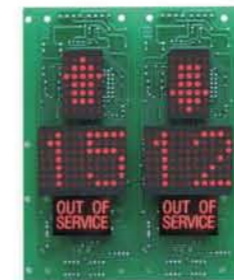
Type:DP-01AC
(136L x 80W) mm



Type:DP-01A
(136L x 80W) mm



Type:DP-01S
(162L x 60W) mm



Type:DP-01R
(162L x 135W) mm



Type:FDM-03
(180L x 82W) mm



Type:FDM-04
(136L x 70W) mm



Type:FDM-05
(180L x 82W) mm



Type:FDM-06
(136L x 70W) mm



Transmission Mother Board
Type:FDT01-1

CONTROL PANEL & PARTS

CMH01 SERIES



Cam Switch
Type:GH-10



Cam Switch
Type:GH-11



Car Door Switch
Type:CDS-00



Cross Flow Fan
Voltage: AC 110V or AC 220V
Type:GH-12

C/P Interface Board
Type:INTF-A



Control Panel-1



Control Panel-2



Control Panel (For Lift Passenger, Service, Cargo, etc)
Type:CMH01



Main Board Include
PLC Board & Memory
Max.30F Speed: 20-105mpm
Type:CMH01



Car top I/O Board
Type:CMH-02



For Home Lift:
Mini Type 5x7 Dot Matrix Display+Car Call
(only CALL button or Double CALL
(IP, DN) button)



LAN Transmission Board Include
Dot Matrix Hall Display



LAN Transmission Board Include
Dot Matrix Car Display (Horizontal)



LN-32 Parallel Transmission Board
(Multi Function)
Type:CMH-LN32



LAN Transmission Board
Include Dot Matrix Car
Display (Vertical)

CH-168 & 568 SERIES



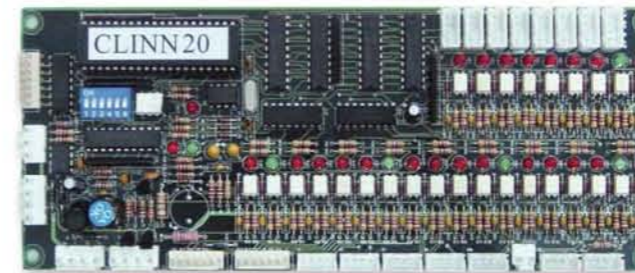
Control Panel
(For Lift Passenger,
Service, Cargo, etc)
Type:CH-168



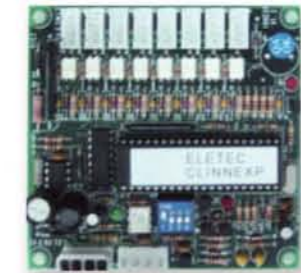
Control Panel
(Homelift)
Type:CH-568



568 CPU Board



Car Control Board



Car Call Expansion Board



168 CPU Board



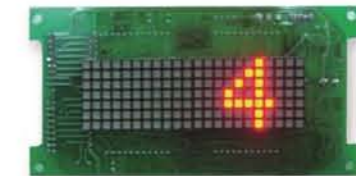
168 Car Top Controller



LCD Display Panel



Landing Display Board



Cabin Display Board



168 Elevator Controller



568 Car Top Controller



168 Safety Relay Board



Group Control Board



Serial Interface Board



Type:DA

Type:DB

Type:DC



Type:LA

Type:LB

Type:LC

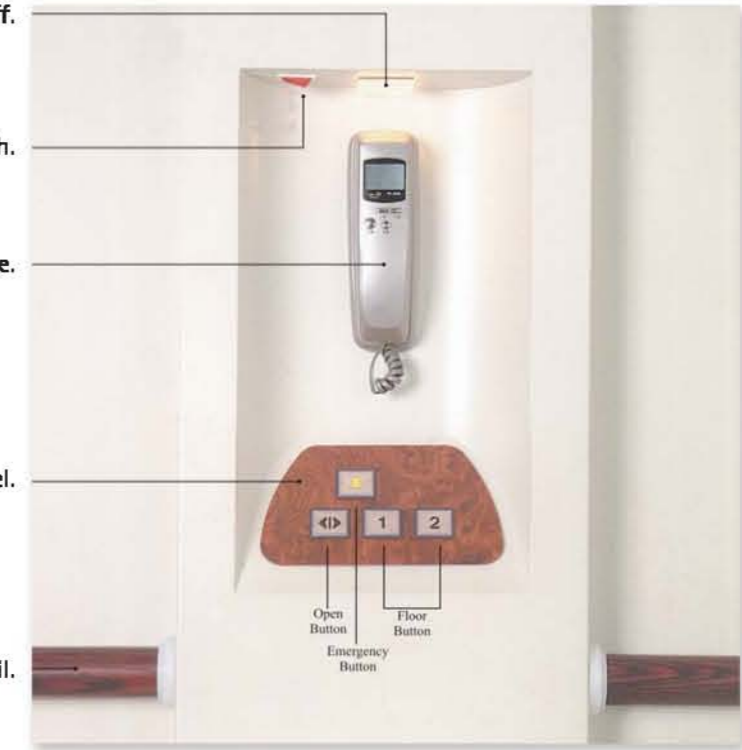
Emergency Light When Power Is Off.

Emergency Stop Switch.

Phone.

Operation Panel.

Handrail.



Ceiling

Operation Panel



Touch button with light design is more humanize and friendly design

INFRA RED DOOR DETECTOR LIFT(MICROSCAN) VOLTAGE:AC 110V OR AC 220V

INFRA RED ELEVATOR DOOR DETECTOR

Model Definitions

example: WECO-917 A 6 1 - AC220 - E

New Standard Configuration: E

Power and system output options:
 AC220: 185V~290VAC,50/60Hz power box. 1NO/1NC relay output
 AC110: 110VAC±20%,50/60Hz power box. 1NO/1NC relay output
 DC24A: 24VDC±10% power box. 1NO/1NC relay output
 DC24B: 10~30VDC direct input. 1NO NPN output
 DC24C: 10~30VDC direct input. 1NC NPN output
 DC24D: 10~30VDC direct input. 1NO PNP output
 DC24E: 10~30VDC direct input. 1NC PNP output
 DC24F: 10~30VDC direct input. 1NC relay output
 DC24G: 10~30VDC direct input. 1NO relay output
 DC24H: 24VDC safety function power box







Connection Cable:
 1: 3.5mx2pcs,for standard central-opening lift doors
 2: 3.5mx2pcs,for side opening lift doors
 3: 2.5m. 4.5mx1pcs,for new side opening lift doors
 4: 5mx2pcs,for Two Panel central-opening lift doors

TX/RX Number:
 4: 20对 (20 Diode sets)
 5: 36对 (36 Diode sets)
 6: 17对 (17 Diode sets)
 7: 32对 (32 Diode sets)
 8: 40对 (40 Diode sets)
 9: 48对 (48 Diode sets)




Profile:
 A
 B
 C
 ...
 G
 ...
 Z

WECO-917 series: WECO-917
 WECO-957 series: WECO-957

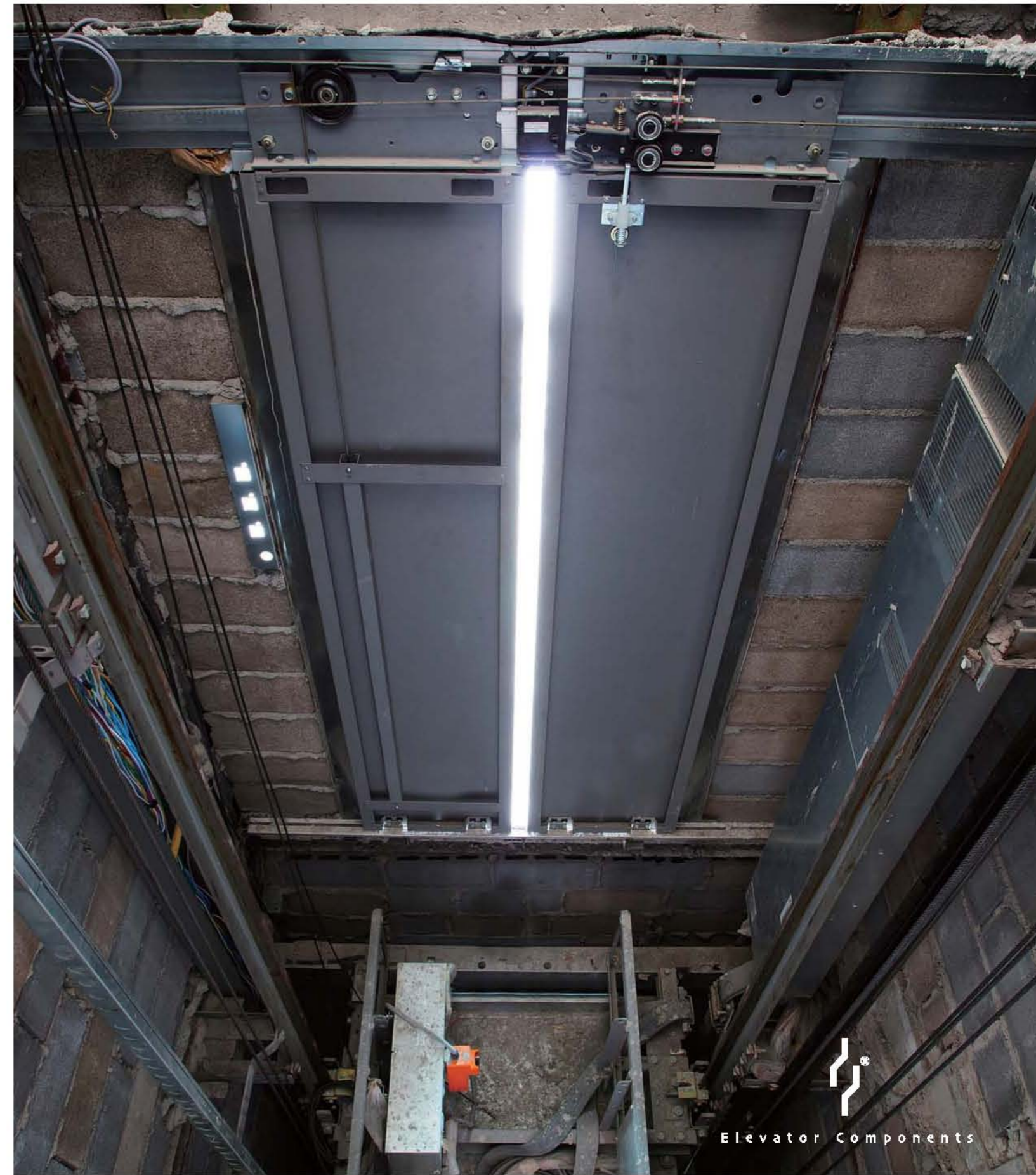


	917				957			
Technical Features								
Number of Infra Red Diodes	17 Diode sets	32 Diode sets	17 Diode sets	20 Diode sets	32 Diode sets	36 Diode sets	40 Diode sets	48 Diode sets
Response Time	45ms relay output	61ms relay output	45ms relay output	48ms relay output	61ms relay output	65ms relay output	68ms relay output	77ms relay output
	21ms transistor output	37ms transistor output	21ms transistor output	24ms transistor output	37ms transistor output	41ms transistor output	45ms transistor output	53ms transistor output
Scanning Beams	94-33 Beams	154-94 Beams	94-33 Beams	128-58 Beams	154-94 Beams	174-106 Beams	194-118 Beams	234-142 Beams
infrared diodes range	117.5mm	58.8mm	117.5mm	84mm	58.8mm	47.5mm	47.5mm	40mm
Detecting Height	20 ~ 1841mm		20 ~ 1615mm		20 ~ 1841mm	20 ~ 1678mm	20 ~ 1868mm	20 ~ 1900mm
Redundancy (One transmitter shielded after 120s detected absent)	○	●	○	●	○			
Tolerance	Up/down: ±15mm/ 7° Back/forth: ±3mm/ 5°							
Detecting Range	0 ~ 4m							
Operating Temperature	-20°C ~ +65°C							
Reliability								
Light Immunity	100000Lux.				Sunlight proof			
Protection Level	See product catalog							
Vibration	Vibration 20 to 500Hz 4hrs per X-Y-Z axis, sinusoidal vibration 30Hz rms 30mins per X-Y-Z axis							
Environment Test (hing & low temperature)	GB/T2423.1-GB/T2423.4							
EMC								
EN12015	general circuit level				safety circuit level			
EN12016								
Function								
Voice Reminder (Buzzer in RX, after shielded continuously 15s)	●	○	●	○				
LED Interpretation								
								

8 STRANDS ELEVATOR WIRE ROPE

8×S(19)		8×W(19)			8×Fi(25)		
							
Construction	Fiber Core Seale 8×(1+9+9)	Construction	Fiber Core Warrington 8×{1+6+(6+6)}	Construction	Fiber Core Filler 8×{1+6+(6)+12}		
Lay of wire rope	Ordinary lay } Z or S Lang's lay }						
Nominal diameter of rope mm	Calculated sectional area mm ²			Breaking load kN			Approx. mass per meter kg/m
				Bright-Galvanized		Bright	
	S(19)	W(19)	Fi(25)	Grade E	Grade A	Grade B	
8	23.4	24.2	23.3	26.0	30.8	32.8	0.220
10	36.5	37.9	36.5	40.6	48.1	51.3	0.343
11.2	45.8	47.5	45.7	51.0	60.3	64.3	0.430
12	52.6	54.5	52.5	58.5	69.2	73.8	0.494
12.5	57.0	59.2	57.0	63.5	75.1	80.1	0.536
14	71.6	74.2	71.5	79.6	94.3	100	0.672
16	93.5	97.0	93.3	104	123	131	0.878
18	118	123	118	132	156	166	1.11
20	146	152	146	162	192	205	1.37
22.4	183	190	183	204	241	257	1.72
25	228	237	228	254	301	320	2.14

Please Contact Us For Details.



Elevator

Components



Selection



TAIWAN. ISO 9001

GENG-YIG ENTERPRISE CO., LTD.

GENG-JIN FOUNDRY CO., LTD.

No.31, Gongye W. 2nd Rd., Lukang Township,
Changhua County 505, Taiwan

TEL: +886-4-7811956 FAX: +886-4-7811997

E-mail: geng.jln@msa.hinet.net

Skype: gengjln31 www.geng-yig.com

PT. CENINDO PERKASA

Ruko Taman Palem Lestari Blok L No.50 Rt/Rw.013/08,
Cengkareng, Jakarta Barat 11730

TEL: +62-21-5595 1798 FAX: +62-21-5595 1799

E-mail: cenindoperkasa@kimo.com Skype: cenindo